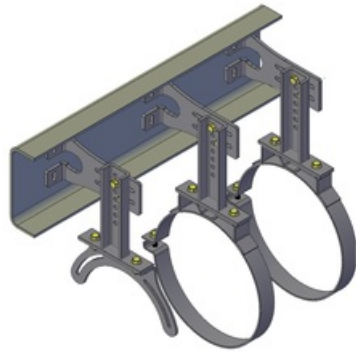
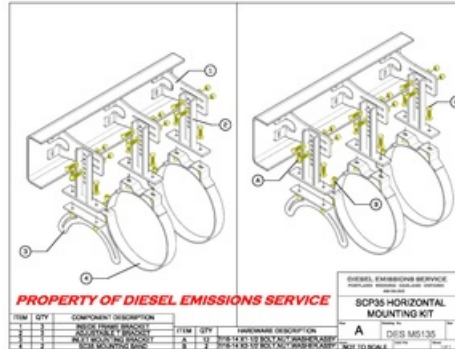


DESM5135

SCP35 Horizontal mounting kit



PROPERTY OF DIESEL EMISSIONS SERVICE



*Due to continuous improvements to our products, actual items ordered and received may differ slightly from images shown.

Features:

- DESM5135 mounting kit brackets are designed to mount the SCP35 "Active" systems.
- Brackets are constructed from 1/4" and 3/8" mild steel.
- Mounting bands are constructed from 3/16" mild steel.
- Brackets are powder coated black. Filter mounting bands are powder coated "HI TEMP" black.
- Hardware (hex bolts, flat washers, nylock nuts) are yellow zinc chromate, grade 8 (included).

Installation:

1. Care should be taken to ensure no air lines, fuel lines, and/or wiring is between frame and brackets before tightening.
2. Brackets must be assembled as shown and hardware torqued to **listed standards. CAUTION! Tighten band hardware as necessary to prevent crushing of the filter outer can. FAILURE TO DO SO MAY CAUSE DAMAGE TO THE "DPF" SYSTEM
3. Position the filter mounting brackets to ensure adequate ground clearance between filter and roadway.
4. **TORQUE SPECIFICATIONS: 3/8-16 GRADE 8 (40-50 ft lbs.) 7/16-14 GRADE 8 (60-75 ft lbs.) 1/2-13 GRADE 8 (90-110 ft lbs.)