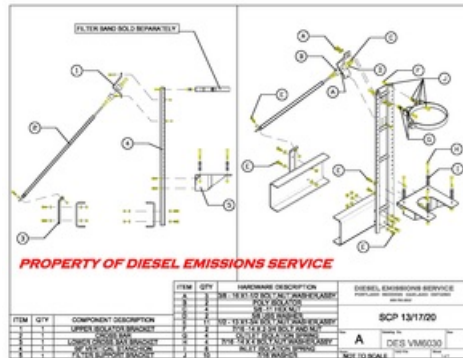
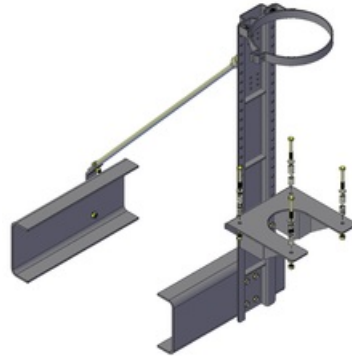


DESVM6030

SCP13/17/20 Vertical Mount



PROPERTY OF DIESEL EMISSIONS SERVICE

*Due to continuous improvements to our products, actual items ordered and received may differ slightly from images shown.

Features:

- DESVM6030 mounting kit brackets are designed to mount "active" DPF systems vertically, utilizing steel isolation springs for filter base and outlet section.
- Cross bar support utilizes rubber isolators
- Constructed and welded using mild steel.
- All parts are powder coated black.
- All hardware (hex bolts, flat washers, nylock nuts) are yellow zinc chromate, grade 8 (included).

Installation:

1. Brackets must be assembled as shown and hardware torqued to **listed standards, FAILURE TO DO SO MAY CAUSE DAMAGE TO THE "DPF" SYSTEM OR INJURY TO PERSONS.
2. Tighten the (2) upper mounting band isolation spring hardware to the bottom of threads on bolt. This ensures proper compression of spring for optimum isolation.
3. Do not tighten isolation spring hardware to the listed torque specifications! Reasonable care should be taken when tightening, to ensure equal compression and avoid excessive compression of the isolator springs.
4. After filter and heat shield are installed, ensure the DPF system does not obstruct or impair the drivers use of the mirrors.
5. **TORQUE SPECIFICATIONS: 3/8-16 GRADE 8 (40-50 ft lbs.) 7/16-14 GRADE 8 (60-75 ft lbs.) 1/2-13 GRADE 8 (90-110 ft lbs.)