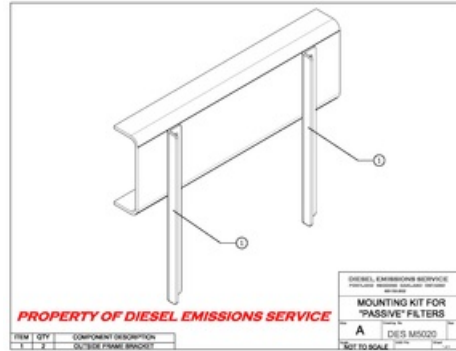
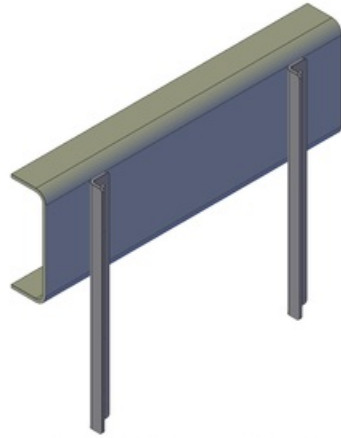


DESM5020

Mounting kit for "passive" filters



PROPERTY OF DIESEL EMISSIONS SERVICE

*Due to continuous improvements to our products, actual items ordered and received may differ slightly from images shown.

Features:

- DESM5020 mounting kit brackets are designed to be used when mounting "passive" DPF systems
- These mounting brackets mount to the outside of the frame rail which allows the filter body to be positioned under and inside the frame of the truck, or outside of the frame rail. (which may require a heat shield)
- Constructed from 1/4" mild steel.
- Brackets are powder coated black.
- Hardware (hex bolts, flat washers, nylock nuts) are recommended to be yellow zinc chromate grade 8. (not included)

Installation:

1. Care should be taken to ensure no air lines, fuel lines, and/or wiring is between frame and brackets before tightening.
2. Hardware should be torqued to **listed standards, FAILURE TO DO SO MAY CAUSE DAMAGE TO THE "DPF" SYSTEM
3. Position the filter mounting brackets to ensure adequate ground clearance between filter and roadway.
4. **TORQUE SPECIFICATIONS: 3/8-16 GRADE 8 (40-50 ft lbs.) 7/16-14 GRADE 8 (60-75 ft lbs.) 1/2-13 GRADE 8 (90-110 ft lbs.)