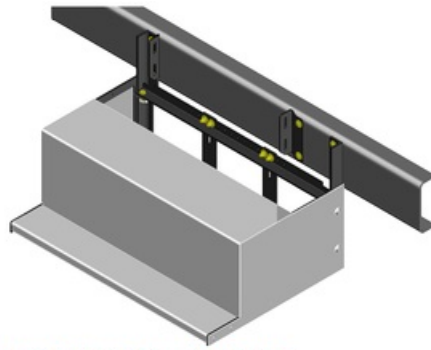
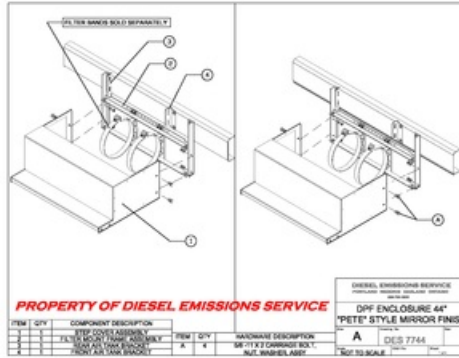


DES7744

MIRROR FINISH DPF Enclosure 44" (inside width) "PETE" style



PROPERTY OF DIESEL EMISSIONS SERVICE



*Due to continuous improvements to our products, actual items ordered and received may differ slightly from images shown.

Features:

- DES7744 is designed to have a smooth mirror finish and styling of the Peterbilt factory "OEM" tool box.
- DES7744 is designed to mount SC43 "passive" systems and other filters with a maximum length of 44". It also designed to mount in the same location as the "OEM" tool box.
- Step, side panels, and cover are a polished mirror finish 304 Stainless Steel. This entire assembly can be removed for access to the filter by simply removing (4) bolts
- The DES7736 chassis is constructed and welded using 1/4" and 3/8" mild steel.
- Chassis hardware (hex bolts, flat washers, nylock nuts) are yellow zinc chromate, grade 8, Cover hardware is grade 5 zinc plated (included).

Installation:

1. Remove existing tool box and any associated air tank brackets (if applicable)
2. Install the DPF enclosure in the original "OEM" tool box location using original bolt holes.
3. All components must be assembled as shown and hardware torqued to **listed standards, Tighten band hardware as necessary to prevent crushing of the filter outer can. FAILURE TO DO SO MAY CAUSE DAMAGE TO THE "DPF" SYSTEM
4. **TORQUE SPECIFICATIONS: 3/8-16 GRADE 8 (40-50 ft lbs.) 7/16-14 GRADE 8 (60-75 ft lbs.) 1/2-13 GRADE 8 (90-110 ft lbs.) 5/8-11 GRADE 5 (110-150 ft lbs.)