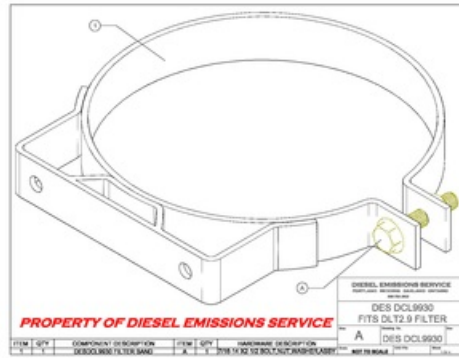


DESDCL9930 BAND

DLT2.9 Filter Mounting Band



PROPERTY OF DIESEL EMISSIONS SERVICE



*Due to continuous improvements to our products, actual items ordered and received may differ slightly from images shown.

Features:

- DESDCL9930 BAND is designed to mount around the center body of a DLT2.9 Filter
- Mounting holes are .50 Dia. spaced 6" on center
- Mounting band is constructed from 1-1/2" wide 3/16" thick mild steel.
- Filter mounting bands are powder coated "HI TEMP" black.
- All hardware (hex bolts, flat washers, nylock nuts) are yellow zinc chromate, grade 8 (included).

Installation:

1. Band and hardware must be assembled as shown and hardware "MUST NOT" be torqued to industry standards.
2. Tighten band hardware as necessary to prevent crushing of the filter outer can. FAILURE TO DO SO MAY CAUSE DAMAGE TO THE "DPF" SYSTEM.
3. Position the adjustable filter mount to ensure adequate ground clearance between filter and roadway.