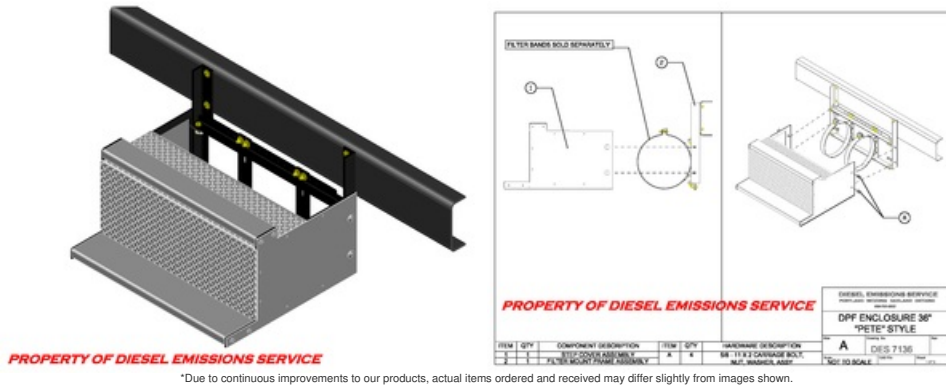


DES7136

DPF Enclosure 36" (inside width) "PETE" style



Features:

- DES7136 is designed to have the same appearance and styling of the Peterbilt factory "OEM" tool box.
- DES7136 is designed to mount SC28 and SC35 "passive" systems. It also designed to mount in the same location as the "OEM" tool box.
- "IMPORTANT" When it has been determined the SC35 system is the choice for your application you MUST order the filter using A11U-0600. This filter has inlet and outlet hats shortened to allow installation in the DES7136.
- Steps and side panels are 5000 series marine grade aluminum. Cover is polished 3000 series aluminum. This entire assembly can be removed for access to the filter by simply removing (4) bolts
- The DES7136 chassis is constructed and welded using 1/4" and 3/8" mild steel.
- Chassis hardware (hex bolts, flat washers, nylock nuts) are yellow zinc chromate, grade 8, Cover hardware is grade 5 zinc plated (included).

Installation:

1. Remove existing tool box and any associated air tank brackets (if applicable)
2. Install the DPF enclosure in the original "OEM" tool box location using original bolt holes.
3. When mounting the SC28, the DPF must be mounted around the inlet and outlet hats only, then mounted to the inside bottom flange using the (2) bands provided by CDTI.
4. When mounting the SC35, the DPF must be mounted around the center body and then mounted to the DES7136 chassis using (2) DESSC35 bands purchased separately.
5. All components must be assembled as shown and hardware torqued to **listed standards, Tighten band hardware as necessary to prevent crushing of the filter outer can. FAILURE TO DO SO MAY CAUSE DAMAGE TO THE "DPF" SYSTEM
6. **TORQUE SPECIFICATIONS: 3/8-16 GRADE 8 (40-50 ft lbs.) 7/16-14 GRADE 8 (60-75 ft lbs.) 1/2-13 GRADE 8 (90-110 ft lbs.) 5/8-11 GRADE 5 (110-150 ft lbs.)