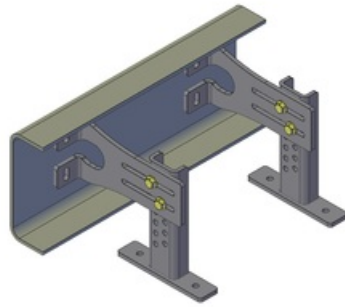
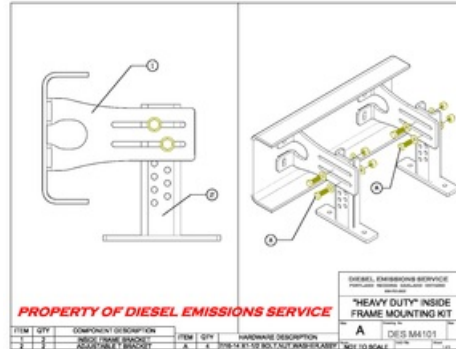


DESM4101

"Heavy Duty" inside frame mounting kit



PROPERTY OF DIESEL EMISSIONS SERVICE



*Due to continuous improvements to our products, actual items ordered and received may differ slightly from images shown.

Features:

- DESM4101 mounting kit brackets are designed to mount DPF systems which exceed 120lbs. and are NOT larger than 14" in diameter. (Brackets can accommodate larger diameter filters if frame is sufficient distance from roadway).
- Constructed from 1/4" and 3/8" mild steel.
- Brackets are powder coated black. Filter mounting bands (purchased separately) are powder coated "HI TEMP" black.
- Hardware (hex bolts, flat washers, nylock nuts) are yellow zinc chromate, grade 8 (included).

Installation:

1. Care should be taken to ensure no air lines, fuel lines, and/or wiring is between frame and brackets before tightening.
2. Brackets must be assembled as shown and hardware torqued to **listed standards, FAILURE TO DO SO MAY CAUSE DAMAGE TO THE "DPF" SYSTEM
3. Position the filter mounting brackets to ensure adequate ground clearance between filter and roadway.
4. **TORQUE SPECIFICATIONS: 3/8-16 GRADE 8 (40-50 ft lbs.) 7/16-14 GRADE 8 (60-75 ft lbs.) 1/2-13 GRADE 8 (90-110 ft lbs.)