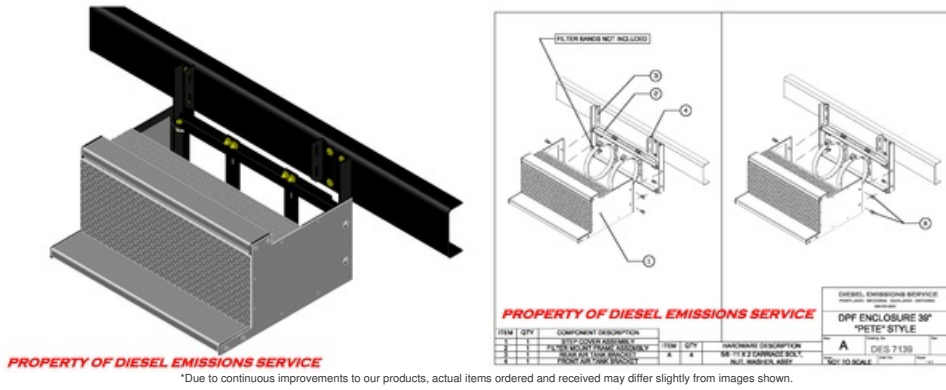


DES7139

DPF Enclosure 39" (inside width) "PETE" style



Features:

- DES7139 is designed to have the same appearance and styling of the Peterbilt factory "OEM" tool box.
- DES7139 is designed to mount filters with a maximum length of 39". These filters are mounted to the chassis of the DPF enclosure with bands purchased separately.
- The DES7139 chassis is constructed and welded using 1/4" and 3/8" mild steel.
- Steps and side panels are 5000 series marine grade aluminum. Cover is polished 3000 series aluminum. This entire assembly can be easily removed for access to the filter for servicing.
- Chassis hardware (hex bolts, flat washers, nylock nuts) are yellow zinc chromate, grade 8, Cover hardware is grade 5 zinc plated (included).

Installation:

1. Remove existing tool box and any associated air tank brackets (if applicable).
2. Install the DPF enclosure in the (REAR) set of original "OEM" tool box bolt holes. Level the enclosure as needed. Mark new (FORWARD) location of mounting angle and drill bolt holes as needed.
3. IMPORTANT Filter can be mounted opposite of normal exhaust flow direction depending on existing exhaust configuration needs.
4. All components must be assembled as shown and hardware torqued to **listed standards, Tighten band hardware as necessary to prevent crushing of the filter outer can. FAILURE TO DO SO MAY CAUSE DAMAGE TO THE "DPF" SYSTEM
5. IMPORTANT Filter can be mounted opposite of normal exhaust flow direction depending on existing exhaust configuration needs.
6. **TORQUE SPECIFICATIONS: 3/8-16 GRADE 8 (40-50 ft lbs.) 7/16-14 GRADE 8 (60-75 ft lbs.) 1/2-13 GRADE 8 (90-110 ft lbs.) 5/8-11 GRADE 5 (110-150 ft lbs.)