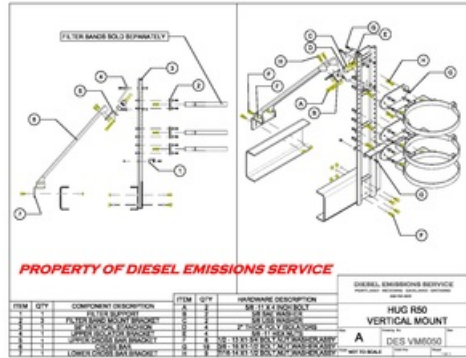
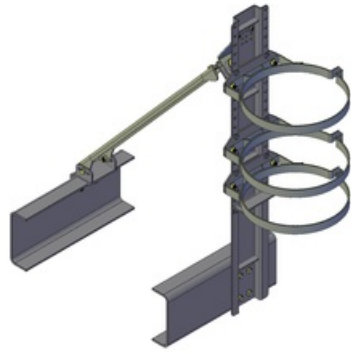


DESVM6050

HUG R50 Vertical Mount



PROPERTY OF DIESEL EMISSIONS SERVICE

*Due to continuous improvements to our products, actual items ordered and received may differ slightly from images shown.

Features:

- DESVM6050 mounting brackets are designed to mount HUG R50 system in a vertical orientation
- Cross bar support utilizes poly isolators.
- Constructed and welded using mild steel
- All parts are powder coated in black.
- All filter bands are NOT included
- All hardware (hex bolts, flat washers, nylock nuts) are yellow zinc chromate, grade 8 (included).

Installation:

1. Brackets must be assembled as shown and hardware torqued to **listed standards, FAILURE TO DO SO MAY CAUSE DAMAGE TO THE "DPF" SYSTEM OR INJURY TO PERSONS.
2. DO NOT tighten isolation hardware to the listed torque specifications! Reasonable care should be taken to ensure equal compression and avoid excessive compression of the isolator.
3. After filter and guard are installed, ensure the DPF system does not obstruct or impair the drivers use of the mirrors
4. ** TORQUE SPECIFICATIONS: 3/8-16 GRADE 8 (40-50 ft lbs) 7/16-14 GRADE 8 (60-75 ft lbs.) 1/2-13 GRADE 8 (90-110 ft lbs.)